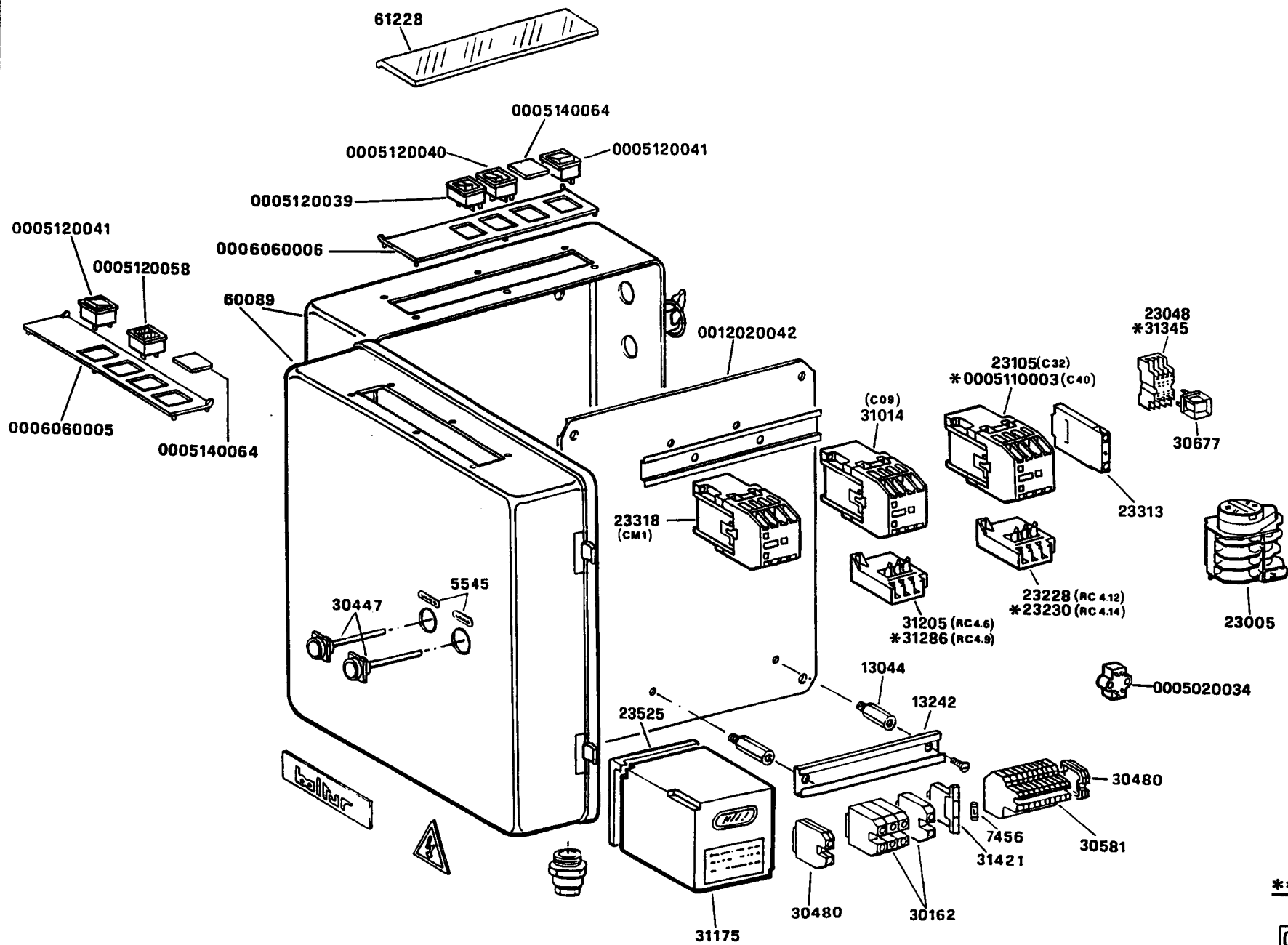


\*\*\*=VERSIONE-TYPE 60Hz

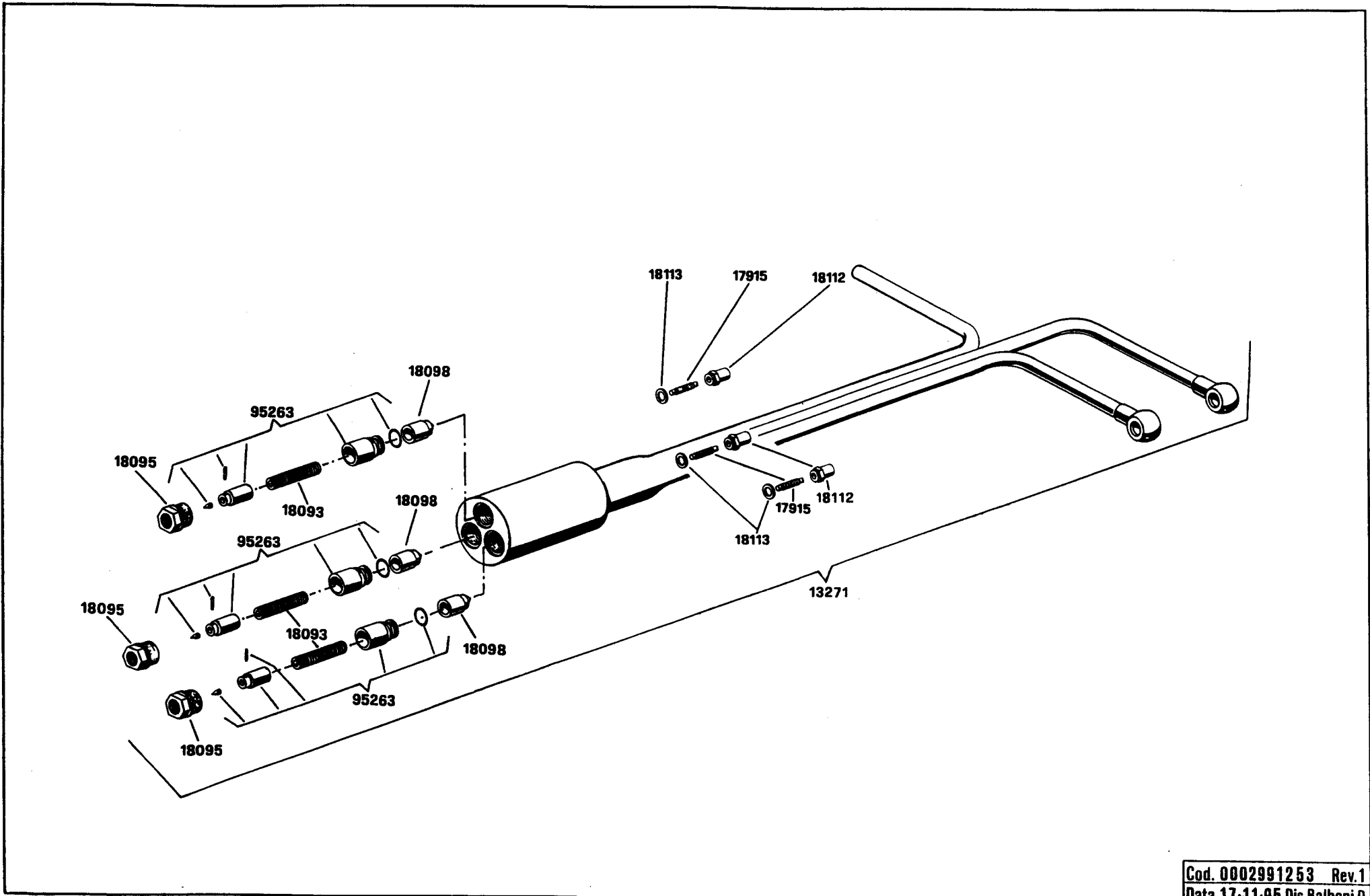
APPARECCHIATURA - CONTROL PANEL - APPAREILLAGE ELECTRIQUE - SCHALTGERAETE 62550 + 62512



\*=VERSIONE-TYPE 60Hz

Cod. 0002990309 Rev.1  
Data 08-09-97 Dis. Balboni D.

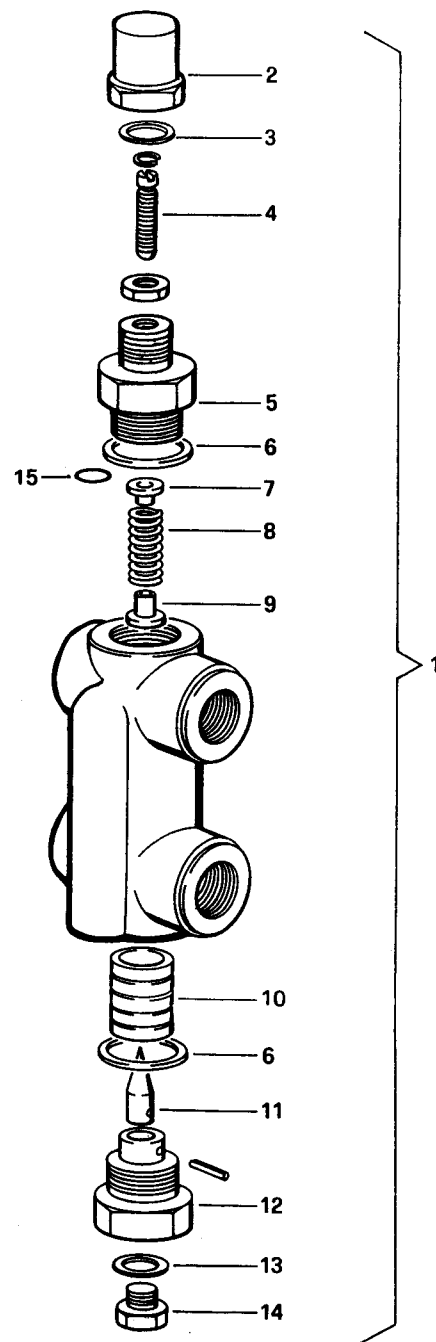
13271 GRUPPO POLVERIZZATORE - NOZZLE ASSEMBLY - LIGNE GICLEUR - DUESENGESTAENGE



Cod. 0002991253 Rev.1  
Data 17-11-95 Dis. Balboni D.

TAV. D41

VALVOLA REGOLATRICE DI PRESSIONE - PRESSURE REGULATING VALVE  
REGULADOR DE PRESION - VANNE REGULATRICE DE PRESSION - DRUCKREGELVENTIL 16325



Cod. 0002990659 Rev.2  
Data 14-11-2000 dis. Balboni

